



# Accessories

## LED lighting | Tempura heating system

Every minute that the patio user can stay outside longer counts! Which is why weinor has developed intelligent accessories for awnings, patio roofs and Glasoasen®. **LED lighting** creates an attractive atmosphere with its warm glow while allowing the patio to be used for much longer. Based on modern technology, the innovative LEDs can save a great deal of energy. The weinor **Tempura** and **Tempura Quadra heating systems** can be mounted virtually anywhere, are easy to retrofit and generate pleasant warmth.






# LED lighting



## Energy-saving LED technology in a timelessly lovely design

weinor LED light bars add that special touch to any patio: their warm glow creates attractive lighting while allowing the patio to be used for much longer. Based on modern LED technology, the innovative light bars can save a great deal of energy. What is more, the light-emitting diodes have a long lifetime of some 30,000 hours, also helping to save resources. weinor LED light bars can be operated and even dimmed using BiConnect radio technology.

## LED | LED Design | 3Spot | LED RGB Strip light bars

LED light bar versions	LED light bar	LED Design light bar	3Spot light bar	LED RGB Strip
				
<b>Technology</b>				
Max. width	650 cm	650 cm	650 cm	500 cm
Max. no. of spotlights	11	11	3	60 LED/m
Bar size (w x h)	75 x 89 mm	80 x 51 mm	80 x 51 mm	31 x 65 mm
Power consumption	2.6 watts LED lights	2.6 watts LED lights	2.6 watts LED lights	4.9 watts/m
Light output	187 lumen/spotlight	187 lumen/spotlight	187 lumen/spotlight	approx. 98 lumen/m
Light colour	white	white	white	48 colours, 3 white
IP code	IP 44	IP 44	IP 44	IP 33
Mounting alternatives	wall and roof mounting or straight on the product			
<b>Design</b>				
47 standard frame colours	●	●	●	●
Over 150 other RAL colours	○	○	○	○
9 trend colours	●	●	●	●
Other structural colours	○	○	○	○
<b>Controls</b>				
BiConnect radio control (infinitely dimmable)	○	○	○	○
Somfy RTS/io (not dimmable)	○	○	○	○ setting colours and dimming on the bar
Hard wired switch (not dimmable)	●	●	●	○ setting colours and dimming on the bar
<b>Accessories/attachment</b>				
Fixing positions standard:	wall mounting	roof mounting or Terrazza roof support mounting	Terrazza roof support mounting	wall mounting
Fixing positions optional:	additional roof mounting set with angle bracket	set of adjustable brackets for wall mounting		
Cabling accessories standard:		connection lead 3.2 m to connect 2 light bars	connection lead 2.5 m to connect 2 light bars or 2 x 2.5 m for 3 light bars	10 m connecting lead for control
Cabling accessories optional:		2.5 m cable track with adhesive tape	2.5 m cable track with adhesive tape	
Motion sensors 	○ The LED light bars can be optionally combined with a motion sensor, for example from Busch-Jäger or Gira (not possible with radio control)			

● standard ○ optional — unavailable

## Energy efficiency



### LED light bars – 30,000 hours of lighting with minimal energy consumption

With their timelessly lovely design, the weinor light bars match more than just weinor products:

- Made in Germany: developed by weinor, guaranteeing quality and spare parts availability
- Individual LED lights can easily be replaced
- Operating life of 30,000 hours
- Energy-saving: 85% lower energy consumption than halogen lighting
- Infinitely dimmable when used with BiConnect radio control



### New: LED RGB Strip

With 60 coloured LEDs per meter and a finely tuned diffuser, the LED RGB Strip bar produces an evenly distributed and pleasant light.

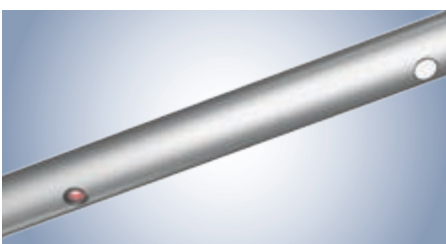
- Selection of 48 colours and 3 whites
- Approx. 4.9 watt output per meter, depending on the set color
- Max. length 5 metres
- Can be installed anywhere
- Timeless, elegant design

## LED and LED Design light bars

### Size and number of LED lamps

Width of light bar in cm	Number of separate LED spotlights	Width of light bar in cm	Number of separate LED spotlights
150 – 164	2	385 – 439	7
165 – 219	3	440 – 494	8
220 – 274	4	495 – 549	9
275 – 329	5	550 – 604	10
330 – 384	6	605 – 650	11

The LED spotlights in the light bars are generally positioned symmetrically. In the case of multi-section units, the spacing at the section joints may be irregular.



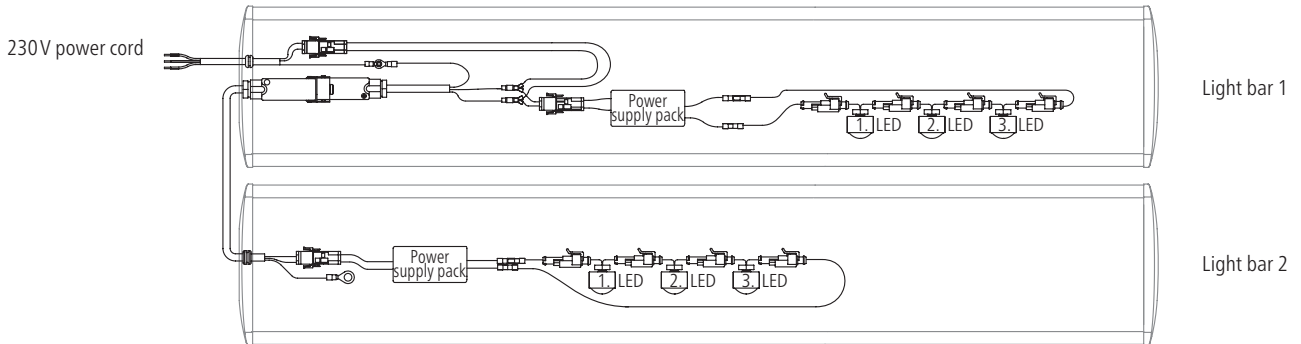
Left: defective spotlight

### LED spotlight failure display

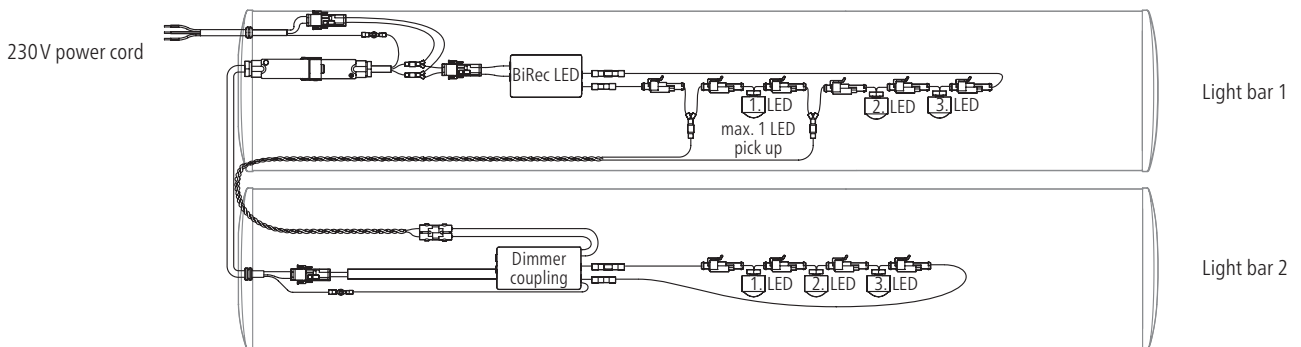
Patented failure display for LED spotlight: a defective spotlight is displayed as a red light. The other spotlights light up as before.

**Circuit diagram overview for LED Design**

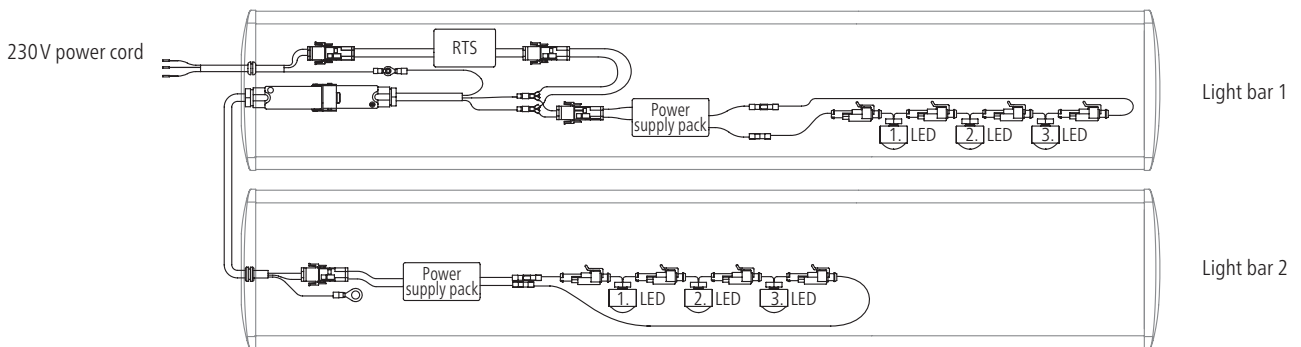
1. Conventional circuit diagram



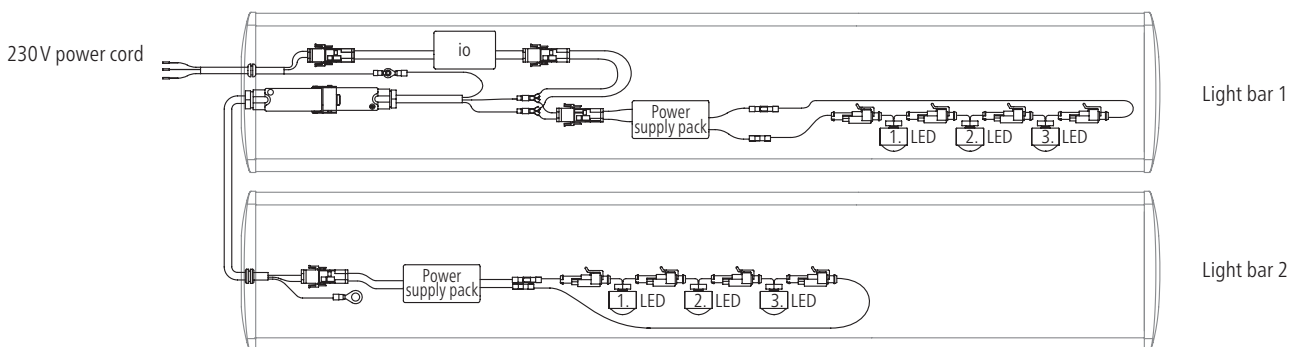
2. Circuit diagram for BiConnect control



3. Circuit diagram for Somfy RTS control



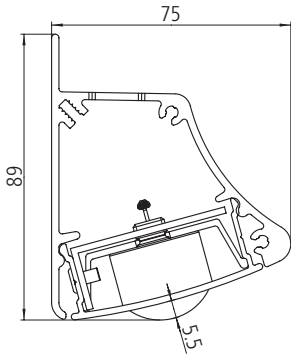
4. Circuit diagram for Somfy io-homecontrol control



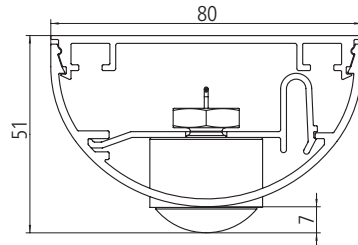
Schematic diagram of light bars for a coupling. Light bars can be designed both individually and with other couplings.

**Cross-sections**

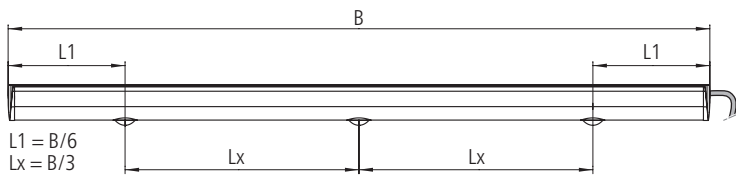
**LED light bar**



**LED Design/3Spot light bar**

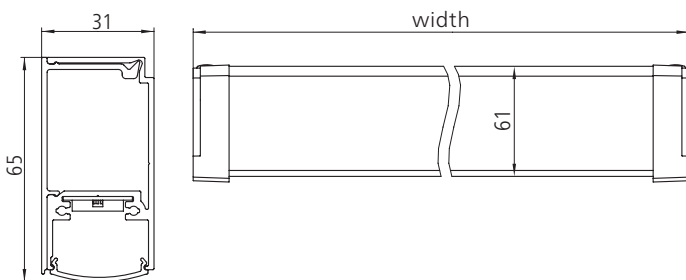


**Design 3Spot light bar: position of the LED spotlights and cable output**

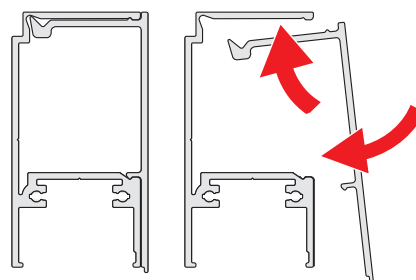


- No LED Design 3Spots shorter than 1640 mm possible.
- An LED Design 3Spot light bar always comprises 3 LED spotlights. No more than 3 light bars can be combined to make one installation.
- Several installations will need to be used if more light bars are required.
- Only one remote receiver is required for the light bar installation.

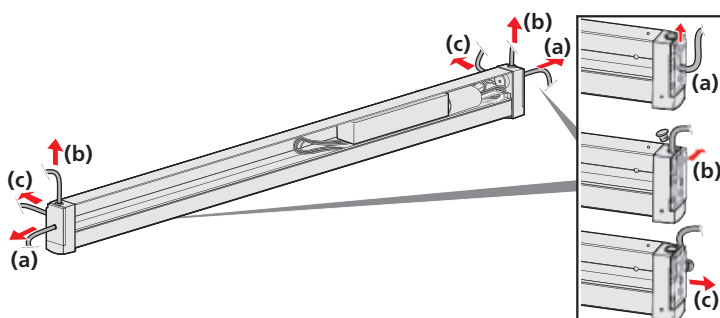
**LED RGB Strip light bar and cable output**



**Clip-in profile cover**



The fixing and internal control are covered by the elegant profile cover.

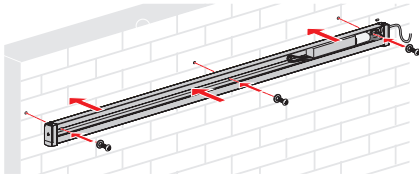


- Cable output:** either on the left or right
- (a) on the side
  - (b) at the top
  - (c) at the rear

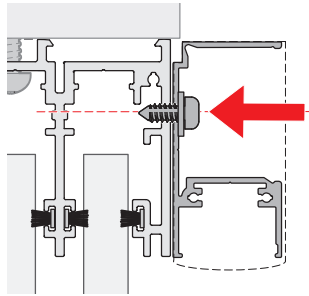
## Installation options

### LED RGB Strip

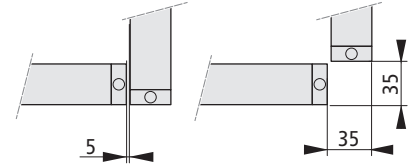
#### Wall installation



#### Installation on w17 easy top rail



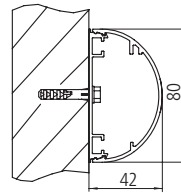
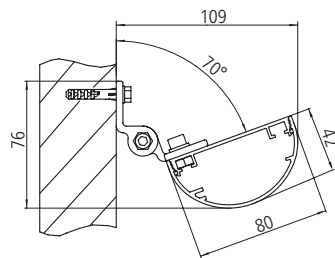
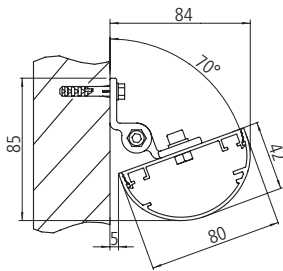
#### Angle installation (90°)



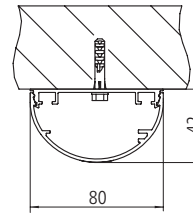
(Top view)

### LED Design/3Spot

#### Light bar installation on the wall using adjustable holder set

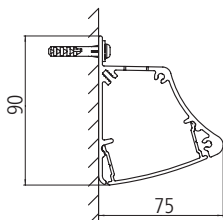


#### Roof mounting

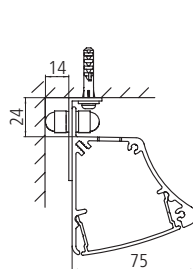


### LED light bar

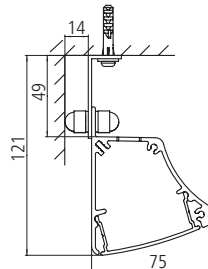
#### Installation on the wall under the awning



#### Roof mounting



Minimum spacing



Maximum spacing

Roof mounting or roof support mounting possible, e.g. on Terrazza

**Note:** Install the LED bar in a location protected from the weather and always with the illuminated area facing downwards.

# Tempura heating system



## Tempura patio heating – a great performance from a small heater

The weinor Tempura heating system provides pleasant warmth on the patio quickly. It can be mounted anywhere, is easy to retrofit and generates pleasant warmth in the evenings and during the cooler months. The infrared rays can be felt as soon as the system is switched on. There is no lengthy pre-warming process as required with other heaters (e.g. medium wave or dark radiators). When operated using the BiConnect radio control from weinor, the Tempura heating system can be fine tuned to any level. It can be angled as required to target a specific area and provide pleasing temperatures. The Tempura is available in 2 versions: **Tempura** with its classic round look and **Tempura Quadra** in a modern square design.

Tempura Quadra has been awarded with:



**reddot award 2018**  
winner



**Premium quality**  
made in Germany



Tempura and Tempura Quadra are developed and produced in Germany. The weinor powder coating allows for maximum quality and a vast variety of colours.



# Tempura heating Benefits



## Tempura heating system – 2 versions for every style of home

You can choose from 2 versions to suit your personal taste: the classic **Tempura** with a rather round look and **Tempura Quadra** in a square design. The compact heating systems blend subtly into any style of architecture and home.



## Energy-saving infrared heat as soon as you switch it on

The heating system's warming infrared rays can be felt as soon as the system is switched on. There is no lengthy pre-warming process as required with other heaters (e.g. medium wave heaters). New infrared tubes filter up to 99% of the visible rays in the Tempura Quadra. When operated using the BiConnect radio control, the Tempura heating system can be fine tuned to any level. Note: Tension-related clicking noises may be heard when the system is switched on or off.



## Swivelling housing – easy to install

The heating system's housing can be swivelled up and down to any angle. This allows for perfectly targeted heating. The Tempura and Tempura Quadra can be fitted to any wall using the universal bracket. The Tempura Quadra can also be attached straight to the weinor Opal Design II awning and the round Tempura can be attached to the weinor Semina Life awning using a special bracket.



Tempura Quadra

## Housing the radio elements

While the remote receivers can be housed in the optional design bar with the Tempura, they can be integrated into the base with the Tempura Quadra.



Tempura with design bar



## Protected against overheating and splash-proof

The Tempura is constructed for outdoor use. No extra splash protection is required, e.g. a pane of glass. TÜV tested, protection rating I, protection type IP 24.



# Tempura heating Technology

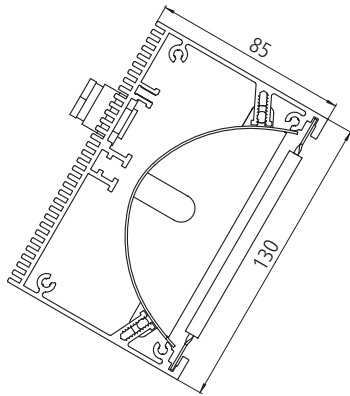
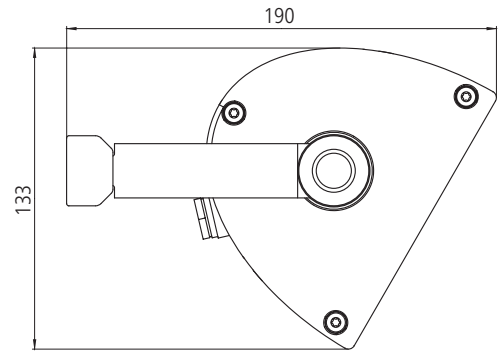
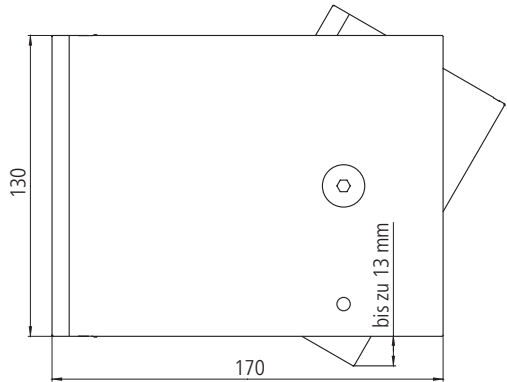
## Overview of the Tempura Quadra and Tempura patio heating systems

Heating system	Tempura Quadra	Tempura
<b>Technology</b>		
Dimensions (width x height x depth)	40.5 cm x 13 cm x 17 cm; 40.5 cm x 13 cm x 9 (for Opal Design II)	46 cm x 13 cm x 10,4 cm
Output/power consumption	230 volts, 50 hertz, 1,500 watts	230 volts, 50 hertz, 1,500 watts
Weight	4.4 kg (Universal); 3 kg (for Opal Design II)	2.6 kg
<b>Tilt radius</b>		
Universal wall mounting	40°	40°
Universal roof mounting (can be swivelled in both directions)	65°	70°
Opal Design II fixing position	15°	40°
Semina Life fixing position	—	15°
<b>Mounting alternatives</b>		
Universal wall and ceiling mounting	●	●
Bracket for attachment to Opal Design II	●	●
Bracket for attachment to Semina Life	—	●
260 attachment for installation on the Terrazza Pure guttering or the wall	○	—
<b>Design</b>		
47 standard frame colours	●	●
Over 150 other RAL colours	○	○
9 trend colours	●	●
Other structural colours	○	○
<b>Controls</b>		
Radio control (for more information see Control and drive technology folder)	<ul style="list-style-type: none"> <li>○ BiConnect BiRec HD (dimnable)</li> <li>○ BiConnect BiRec On/Off (not dimmable)</li> <li>○ Somfy Heating Slim Receiver RTS (not dimmable)</li> <li>○ Heating Slim Receiver on/off io 2KW STAS3/STAK3 (not dimmable)</li> </ul>	<ul style="list-style-type: none"> <li>○ BiConnect BiRec HD (dimnable)</li> <li>○ BiConnect BiRec On/Off (not dimmable)</li> <li>○ Somfy Heating Slim Receiver RTS (not dimmable)</li> <li>○ Heating Slim Receiver on/off io 2KW STAS3/STAK3 (not dimmable)</li> </ul>
Hard wired to existing power supply	●	●
Cabling	0.4 m silicone lead, Hirschmann coupling and 1.5 m lead with Schuko plug for start-up (not suitable for continuous use)	
<b>Quality</b>		
	Made in Germany	
	TÜV-tested safety (GS certified); IP code 24; Protection class I	

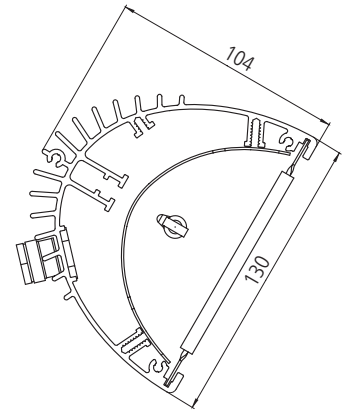
● standard ○ optional — unavailable

Sectional drawing and mounting alternatives for Tempura Quadra/Tempura

Sectional drawing

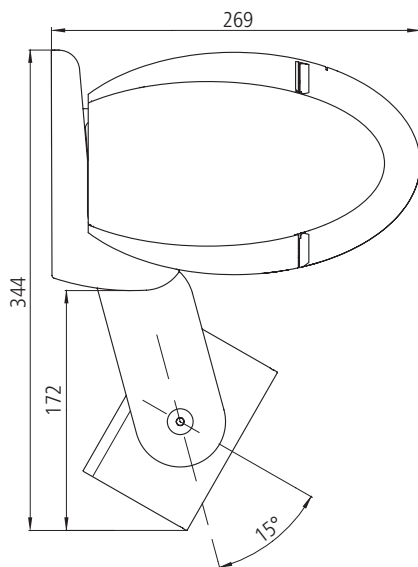


Tempura Quadra

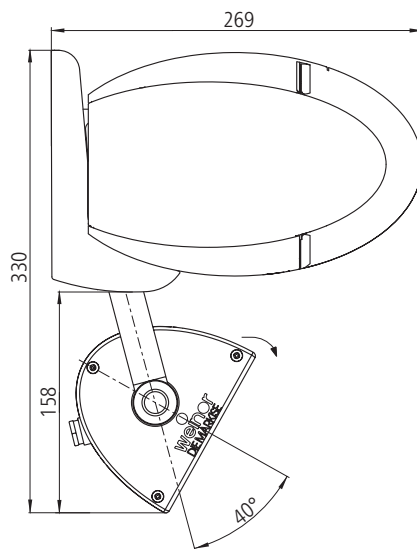


Tempura

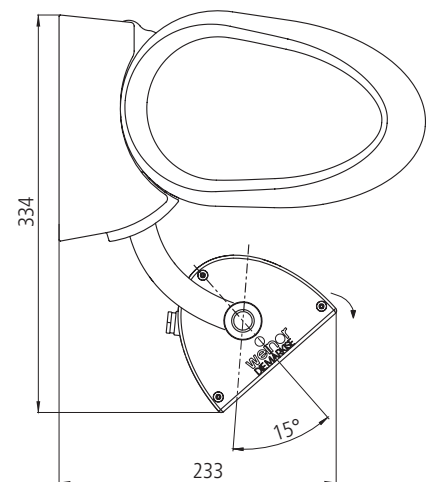
Attachment using special bracket



When attached to an Opal Design II, the Tempura Quadra can be swivelled 15°.



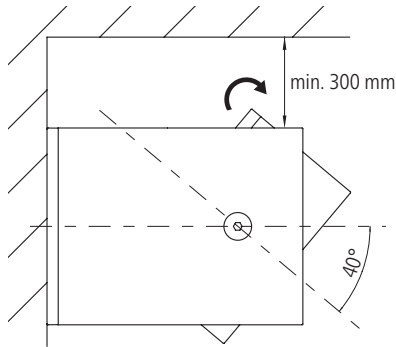
When attached to an Opal Design II, the Tempura can be swivelled 40°.



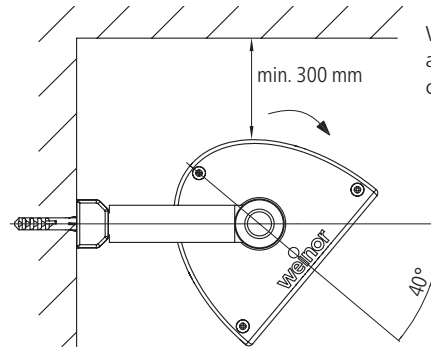
When attached to the Semina Life, the Tempura can be swivelled 15°.

## Sectional drawing and mounting alternatives for Tempura Quadra/Tempura

### Tempura Quadra/Tempura wall mounting

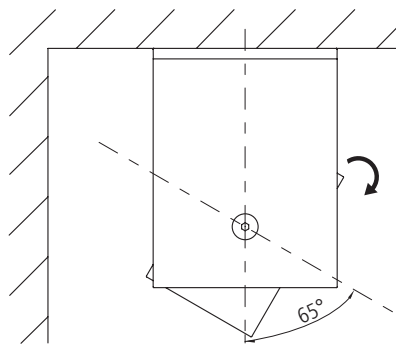


When mounted on a wall, the Tempura Quadra can be swivelled 40°.

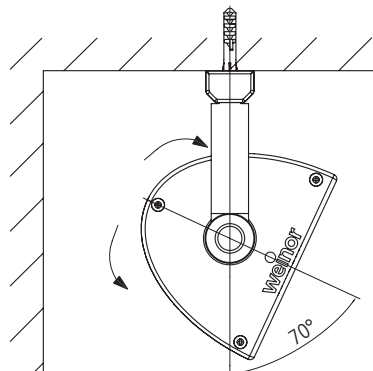


When mounted on a wall, the Tempura can be swivelled 40°.

### Tempura Quadra/Tempura roof mounting

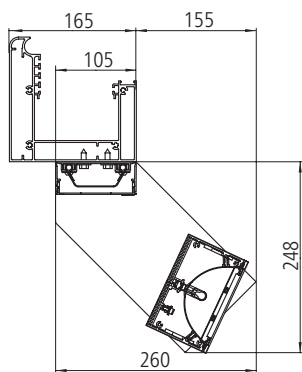


When mounted on a roof, the Tempura Quadra can be swivelled 65°.

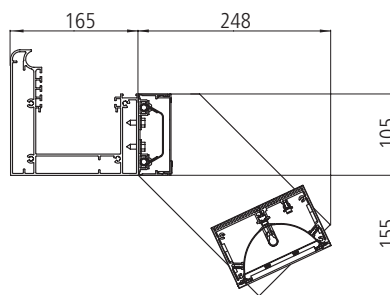


When mounted on a roof, the Tempura can be swivelled 70°.

### Tempura Quadra installation on the Terrazza Pure guttering or the wall using the 260 attachment

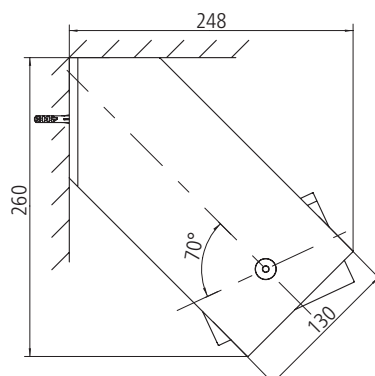


Installation without glazing element possible with Sottezza II

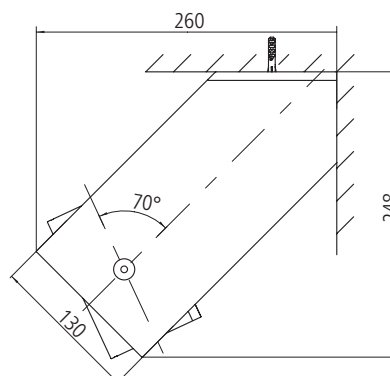


Installation with glazing element possible without Sottezza II

### Tempura Quadra wall and roof mounting using 260 attachment



Wall mounting



Roof mounting

