

yewdale **Kestrel**<sup>®</sup>  
MAGNETIC ANTI-LIGATURE SYSTEM

magnetic anti-ligature system



The only fail-safe\* range of exclusive anti-ligature products designed to maximise the safety of people by removing the potential of harm where secure care is required.

yewdale.co.uk  
see things differently



## YewdaleKestrel® the magnetic anti-ligature system range

The only fail-safe\* range of exclusive anti-ligature products designed to maximise the safety of people by removing the potential of harm where secure care is required.



This product range comes with a full Lifetime Warranty as standard.

The YewdaleKestrel® magnetic anti-ligature system provides a highly effective method of saving the lives of service users. It also gives peace of mind to their carers by ruling out the chance of self-harm.

### How it works

YewdaleKestrel® Anti-Ligature systems are designed to separate from their magnetic brackets when excessive weight is applied. They are easily reattached to keep the system functioning fully.

## Safety

Sensitive electronic equipment may be damaged by proximity to a magnetic field and should not come within 150mm of the underside of the brackets. Any load-release device, by its nature, may cause damage when operated. Articles suspended from the YewdaleKestrel® magnetic anti-ligature system will come down when pulled.

YewdaleKestrel® products are designed as standalone products only. Care should be taken when assessing or arranging a room to ensure that YewdaleKestrel® products cannot be misused in conjunction with any other item, furniture or fixings in the room. It is the responsibility of the end user or client to ensure the product is suitable for the environment it is being installed in. YewdaleKestrel® products must be fitted by a qualified professional following the manufacturer's instructions. Failure to do so could jeopardise the product's effectiveness as an anti-ligature system. For information on Terms of Use for YewdaleKestrel® systems, please see page 22.

## Remove the risk of ligature

### Risk identified

Research has identified that people are at the greatest risk of death by ligature in areas of mental health hospital environments, and in prison and detention centres. Service users in these areas have a tendency to be overly irrational in their behaviour and hence need an especially high level of care. This makes a serious cause for concern.

### Remove the risk

In use as a permanent feature for well over 10 years in many UK psychiatric institutions and prisons, and globally in mental health facilities, the YewdaleKestrel® magnetic anti-ligature system lends itself to bespoke requirements of varied environments. Remove your risk immediately by booking a consultation with one of our support specialists.

### 100% fail-safe\*

The YewdaleKestrel® magnetic anti-ligature system provides a highly effective means of greatly reducing this risk, and the only 100% fail-safe\* option at that. The load-release brackets are discreet, attractive and will function time after time regardless of the frequency of use.

## The full range YewdaleKestrel®

### Overview

4 What makes this magnetic system the only 100% fail-safe\* anti-ligature system on the market?

### Curtain Divider Tracks

6 The YewdaleKestrel® curtain divider track system has been tailored to suit bespoke internal privacy requirements. From a single bay replacement through to a multi-room complex, the flexibility of configuration offers you more than a solution.

### Shower Tracks

7 Designed from its core as a maintenance-free solution, the YewdaleKestrel® track system doubles as the perfect answer for all shower cubicle requirements.

### Window Curtain Tracks

8 Featuring only high performance hand drawn tracks, you can rest assured that the window curtain tracks offered by YewdaleKestrel® will operate with high levels of efficiency regardless of the amount of times the tracks are used as a point of ligature.

### Roller Blinds

10 The specially adapted range of roller blinds that make up the YewdaleKestrel® roller blind package help to elevate any roomset environment, laying out the perfect setting for well-being.

### Vertical Blinds

12 With a range of controls including wand, chain and crank, the YewdaleKestrel® vertical blind programme provides a comprehensive coverage to the window shading prerequisite.

### Accessories

16 Some items in the washroom get overlooked. That's why the YewdaleKestrel® range of accessories were designed. They support your welfare items 24 hours a day, time after time.

### Terms of use

22 It is important a YewdaleKestrel® system is installed correctly.

## Loading Figures

No part of a YewdaleKestrel® installation should be able to withstand a vertically downward force of more than 400 Newtons, which is equivalent to a static load of approximately 40kg. Most readings will be in the region of 15-30kg, depending on configuration and proximity to brackets.



# YewdaleKestrel® Anti-ligature System

The YewdaleKestrel® system is available through a nationwide network of distributors and customers, with trained and accredited installation and service teams providing an unrivalled level of support.

All YewdaleKestrel® solutions are carefully built to exacting standards, giving years of trouble-free service. The superior design features and quality components enable them to be confidently specified for the most demanding environments.

The YewdaleKestrel® system features vandal-resistant controls and mechanisms, and are frequently seen in hospitals, institutions, care homes, prisons and private detention centres.

The YewdaleKestrel® fail-safe\* programme is one of the most comprehensive available, ranging from multiple bay, curtain divider tracks for privacy to individual coat hooks for convenience.

<b>K100 Curtain Divider Track</b>	<b>6</b>
<b>K100 Shower Track</b>	<b>7</b>
<b>K6200 Window Curtain Track</b>	<b>8</b>
<b>K9500 Flexible Window Curtain Track</b>	<b>9</b>
<b>KR20 Sidewinder Roller Blind</b>	<b>10</b>
<b>KR20S Slow-rise Spring Roller Blind</b>	<b>11</b>
<b>KVL31 Premium Wand Vertical Blind</b>	<b>12</b>
<b>KVL60 Chain Mono Vertical Blind</b>	<b>13</b>
<b>KVL64 Crank Mono Vertical Blind</b>	<b>14</b>
<b>Accessories</b>	<b>16</b>
<b>Terms of Use</b>	<b>22</b>

### O+M Guidance

It is an NHS Estates requirement that items suspended on load-release support systems should be maintained and load-tested in accordance with the manufacturer's instructions on an annual basis. The YewdaleKestrel® system is maintenance free and its performance remains constant even after repeated use. It is a requirement, however, to carry out a physical inspection of YewdaleKestrel® fittings to identify any possible damage or evidence of tampering.



This product range comes with a full Lifetime Warranty as standard.

\*see page 22 for definition



## The YewdaleKestrel® Anti-Ligature System

Providing an environment that is conducive towards a peaceful way of life and an area of calm ensures resident users are calmer, happier and easier to manage and care for. Pair this with the peace of mind for the carer community, knowing that all avenues to prevent ligature risks have been researched and the appropriate measures installed. With an ever-increasing host of options available to the health care sector, why should there still be cause for alarm?

Many systems on the market cover their product offering with a small-print reference to the limitation of a safety product as opposed to a fully anti-ligature solution. For help when making your next decision, or to check how your current system fares with regards to a fail-safe\* industry standard have a quick read through the 5 points listed below. If you would like a non-obligatory, unbiased view of your system from an anti-ligature specialist, please call the anti-ligature support team on +44(0)1268 570900.

### Can it be jammed?

Any product that involves a male coupling inserting into a female coupling has the potential to jam. Service users have been known to wrap a small amount of toilet paper tissue around a male coupling prior to inserting it carefully back into its female socket. The subsequent action supported enough weight to increase the safe breakaway amount and a ligature opportunity arose.

With the YewdaleKestrel® magnetic anti-ligature system there are no male and female sockets. Two flat surfaces instead make up the fail-safe\* element of the scheme and cannot be jammed by additional products.

### Does the product fail if pulled sideways?

Some systems available in the global market offer similar friction based devices however these are designed to activate a release function when a direct downward motion is created. If the direct motion works in a direction other than straight down, the shape of the male item has been proved to cause the release coupling to jam up rather than release. If your option has the potential to work in this way, you need to be aware that a ligature point can be arrived at by moving the downward force to an angle of less than 90°, commonly known as a sideways jam.

The YewdaleKestrel® magnetic anti-ligature system works by short-range magnetic attraction. As with all short-range magnets the slightest movement of the magnetic surface away from the magnet will cancel out the force of the magnetic field and guarantees a release action. This action works with any downward motion although the force required to release may increase depending on the angle of pull and product configuration.

### Do you have to replace parts after it prevents a ligature?

The construction of certain safety systems relies on the shearing of smaller plastic components to ensure the product becomes detached in the event of an increase in the supported weight capacity. The use of couplings that shear means that they have to be replaced before the product can be again used in its previous location. This adds unnecessary inconvenience to the staff in any organisation whilst the product is unavailable to be used, and requires replacement.

The YewdaleKestrel® magnetic anti-ligature system works solely on the principle of magnetic attraction and uses no breakable parts for this. In the event of an incident occurring, resulting in it becoming detached from its mounting, all that is required is for the item to be held immediately below the magnetic bracket where the magnetic force will raise the item back into position with no wasted downtime suffered.

### Will it bring a whole system down?

The strength of any system is often gained by coupling multiple items together to make one complete package. This does not work in your favour however when one part of the system releases due to an increased load being applied. Whilst this will still ensure that the system operates in its ligature-prevention purposes, additional damage and injury can occur due to the 'domino' effect of increased pressure being applied to the rest of the system as a result.

The YewdaleKestrel® magnetic anti-ligature divider curtain track system has been carefully designed to operate as individual tracks in the event of an incident whilst still being able to work together along with other individual YewdaleKestrel® tracks when built into a larger package. For more details, call the anti-ligature support team on +44(0)1268 570900.

### Will constant use make it more vulnerable to failure?

The effect of usage of almost any product/system makes it subject to gradual physical deterioration regardless of age, use, and/or weathering. In similar effect the use of friction-based facilities can be subject to 'wear and tear' resulting in increased tolerances over time. Although this will not necessarily unduly affect the anti-ligature properties of the application it can result in the system releasing prematurely and causing more problems.

In a direct contrast, the philosophy of the YewdaleKestrel® magnetic anti-ligature system is based entirely around the principle of the forces of magnetism. Permanent magnets will

retain their magnetic properties indefinitely and are not subject to decline, nor the forces of 'wear and tear'.

	YewdaleKestrel®	Socket / Friction
Impossible to jam	✓	✗
Sideways pull test pass	✓	✗
Anti-domino effect	✓	✗
Total collapse system	✓	✗
Toothpaste test	✓	✗
Easy to put back in place	✓	✗
Polycarbonate plastic	✓	✗
100% consistent	✓	✗
Fail-safe*	✓	✗
Full package	✓	✗
Is it a safety product	✓	✓

### Wall fix bracket

Wall-fix bracket in unbreakable polycarbonate, with smoothly contoured and angled top surface for safety. Dimensions: L48mm W37mm H60mm



### Top fix bracket

The top-fix bracket in unbreakable polycarbonate. Slim profile, with all fixings concealed - an essential safety feature. Dimensions: L82mm W57mm H12mm

# YewdaleKestrel® Curtain Divider Tracks



## K100 Curtain divider track

### Features:

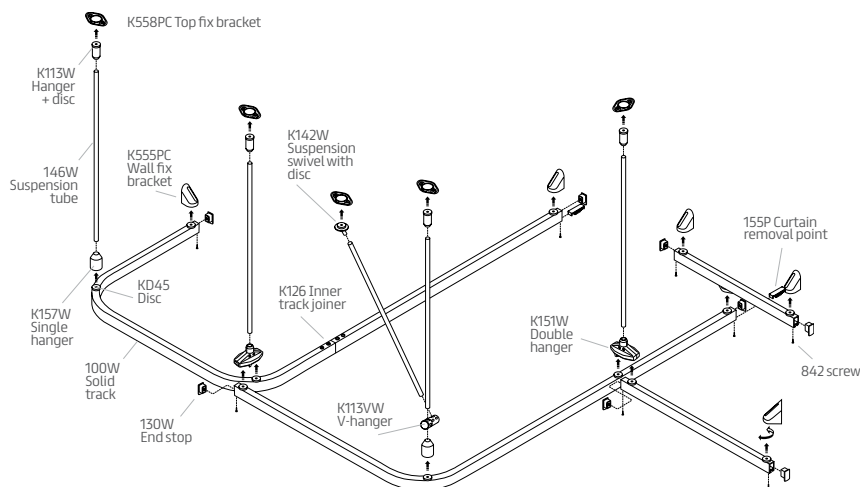
The rigid, high-grade aluminium track section and maintenance-free, wheeled roller hooks are just an introduction to the many features of the YewdaleKestrel® K100 curtain divider track system, which is in use in many hospitals globally. Designed to give years of trouble-free service and specifically for high-risk mental health areas, this curtain divider track system uses magnetic wall-fix brackets where tracks meet the wall, and magnetic top-fix brackets where suspension hangers meet the ceiling. This ensures that, under excess load, the suspension hanger separates from the ceiling bracket leaving no remaining points of ligature - a highly essential safety feature, as it is surprisingly easy to attach a cord to a fixed vertical rod and use it as a ligature point. Supplied with a curtain removal point as standard.

### Benefits:

Strength and simplicity make the K100 the first choice for a full number of applications. The maintenance-free, premium quality track system has a strong and attractive aluminium profile which offers you more for less, in that it is able to span 2.5 metres between hangers, providing long term reliability. In a similar fashion, curtain removal points are provided as standard on every track for added convenience when replacing curtains. The self-lubricating roller runner hooks are quickly loaded into the track through this point of access. Mounted on magnetic brackets for 100% fail-safe\* anti-ligature functionality. Complies fully with the requirements of HTM66.

### Options:

Silver anodised track; Any RAL colour available to order; Biosafe® antibacterial treatment option available within white powder-coated finish only.



### Specification:

The magnetic anti-ligature YewdaleKestrel® K100 curtain divider track system as manufactured by Yewdale, +44 (0)1268 570900. Track manufactured from premium quality aluminium with silver anodised / white powder-coated finish, able to span 2.5 metres without support. Double hangers to ensure full functionality of system. Complete with roller runner hooks at 10 per metre, curtain removal points per section and magnetic wall-fix/top-fix brackets, and overlaps as necessary, spaced in accordance with manufacturer's recommendations. Fitting to be carried out by trained and accredited personnel.

**YewdaleMovatrac® is the only approved curtain divider track system to be used with YewdaleKestrel®**

Please refer to NBS Plus N10 240.



This product range comes with a full Lifetime Warranty as standard.



## K100 Shower track

### Features:

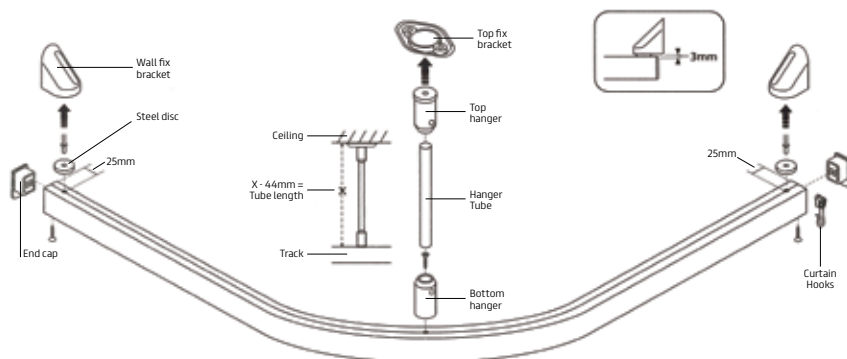
The rigid, high-grade aluminium track section and maintenance-free, wheeled roller hooks are just an introduction to the YewdaleKestrel® K100 shower track system. Designed to give years of trouble-free service and specifically for high-risk mental health areas, this shower track system uses magnetic wall-fix brackets where tracks meet the wall, and magnetic top-fix brackets where suspension hangers meet the ceiling. This ensures that, under excess load, the suspension hanger separates from the ceiling bracket leaving no remaining points of ligature - a highly essential safety feature, as it is surprisingly easy to attach a cord to a fixed vertical rod and use it as a ligature point.

### Benefits:

Strength and simplicity make the K100 the first choice for a full number of applications. The maintenance-free, premium quality track system has a strong and attractive aluminium profile which offers you more for less, in that it is able to span 2.5 metres between hangers, providing long term reliability. In a similar fashion, curtain removal points are provided as standard on every track for added convenience when replacing curtains. The self-lubricating roller runner hooks are quickly loaded into the track through this point of access, making the process a pleasurable experience. Mounted on magnetic brackets for 100% fail-safe\* anti-ligature functionality.

### Options:

Silver anodised track; Any RAL colour available to order; Biosafe® antibacterial treatment option available within white powder-coated finish only.



### Specification:

The magnetic anti-ligature YewdaleKestrel® K100 shower track system as manufactured by Yewdale, +44 (0)1268 570900. Track manufactured from premium quality aluminium with white powder-coated finish. Complete with roller runner hooks at 10 per metre, and magnetic wall-fix/top-fix brackets spaced in accordance with manufacturer's recommendations. Fitting to be carried out by trained and accredited personnel.

**YewdaleMovatrack® is the only approved shower track system to be used with YewdaleKestrel®**

Please refer to NBS Plus N10 240.



This product range comes with a full Lifetime Warranty as standard.



### We've pulled together a top range of curtains!

Find a matching option from the YewdaleHarrier® range. You'll find it easy to choose from, using one of our fabric selectors.

# YewdaleKestrel® Window Curtain Tracks



## K6200 Window Curtain Track

### Features:

The YewdaleKestrel® K6200 window curtain track is a white powder-coated aluminium track which is lightweight yet strong, and with roller runners, is ideally suited for ease of use in all hand-drawn curtain applications. Tests have shown that for anti-ligature purposes it is most important that the complete track collapses leaving no point of ligature. Even where a fixed track provides no ligature points, heavy weights can be suspended from the curtains which in turn is a serious potential risk. With the K6200 the track and curtain together will part from the YewdaleKestrel® brackets under abnormal load and can then be simply and quickly reinstated.

### Benefits:

Constructed of a robust aluminium profile ensuring a consistently high level of performance, the K6200 makes an excellent choice for medium to heavy curtain usage. Offering both wall-fix and top-fix options to blend in well with any environment whilst remaining pleasing to the eye, this white powder-coated window curtain track with special low friction roller runners satisfies the most demanding of environments, whether it be residential or commercial. Secured by magnetic brackets for 100% fail-safe\* anti-ligature functionality and in use in many mental health environments worldwide.

### Specification:

The magnetic anti-ligature YewdaleKestrel® K6200 hand drawn window curtain track as manufactured by Yewdale, +44 (0)1268 570900. Aluminium track with white powder-coated finish. Incorporating low friction roller runners at 16 per metre and magnetic wall-fix or top-fix brackets as necessary, spaced in accordance with manufacturer's recommendations. Fitting to be carried out by trained and accredited personnel.

**YewdaleKestrel® K6200 is the only approved window curtain track system to be used with YewdaleKestrel®**

Please refer to NBS Plus N10 240.



This product range comes with a full Lifetime Warranty as standard.

Width Inches	Width mm	No. of Brackets
39 <sup>1/2</sup>	1000	2
47 <sup>1/4</sup>	1200	2
55	1400	3
63	1600	3
71	1800	3
78 <sup>3/4</sup>	2000	3
86 <sup>3/4</sup>	2200	3
94 <sup>1/2</sup>	2400	4
102 <sup>1/4</sup>	2600	4
110 <sup>1/4</sup>	2800	4
118	3000	4
126	3200	4
134	3400	5
141 <sup>3/4</sup>	3600	5
149 <sup>1/2</sup>	3800	5
157 <sup>1/2</sup>	4000	5
165 <sup>1/4</sup>	4200	5
173 <sup>1/4</sup>	4400	6
181	4600	6
189	4800	6
196 <sup>3/4</sup>	5000	6

BIM model available



## K9500 Flexible Window Curtain Track

### Features:

The YewdaleKestrel® K9500 flexible window curtain track has been developed in response to UK Government requirements and is constructed from a specially formulated plastic which is lightweight and strong, and utilises self-lubricating gliders for ease of use in all hand-drawn curtain applications. Tests have shown that for anti-ligature purposes it is most important that the complete track collapses leaving no point of ligature. Even where a fixed track provides no ligature points, heavy weights can be suspended from the curtains which in turn is a serious potential risk. With the K9500 the track and curtain together will part from the YewdaleKestrel® brackets under abnormal load and can then be simply and quickly reinstated. Only for use with lightweight curtains and where the risk of violence precludes the use of the standard K6200 aluminium track.

### Benefits:

Developed from a specially formulated plastic construction the K9500 is specially designed to be flexible enough to prevent its use as a weapon by prisoners or violent psychiatric patients, and shatter resistant to reduce the risk of sharp edges. Suitable for lightweight curtain usage, and an excellent alternative to aluminium tracks when the threat of violence restricts usage of metal products. Offering both wall-fix and top-fix options to blend in well with any environment whilst remaining pleasing to the eye, this white flexible plastic window curtain track with special low friction gliders satisfies the most demanding of environments, whether it be residential or commercial. Secured by magnetic brackets for 100% fail-safe\* anti-ligature functionality and in use in many mental health environments worldwide.

### Specification:

The magnetic anti-ligature YewdaleKestrel® K9500 flexible hand drawn window curtain track as manufactured by Yewdale, +44 (0)1268 570900. White plastic track of special flexible plastic formulation complete with gliders at 16 per metre and magnetic wall-fix or top-fix brackets as necessary, spaced in accordance with manufacturer's recommendations. Fitting to be carried out by trained and accredited personnel.

**YewdaleKestrel® K9500 is the only approved flexible window curtain track system to be used with YewdaleKestrel®**

Please refer to NBS Plus N10 240.



This product range comes with a full Lifetime Warranty as standard.

Width Inches	Width mm	No. of Brackets
19 <sup>3/4</sup>	500	2
35 <sup>1/2</sup>	900	3
51	1300	4
67	1700	5
82 <sup>3/4</sup>	2100	6
98 <sup>1/2</sup>	2500	7
114	2900	8
130	3300	9
145 <sup>1/2</sup>	3700	10

# YewdaleKestrel® Roller Blinds

YewdaleKestrel® Roller Blinds



## KR20 Sidewinder

### Features:

The YewdaleKestrel® KR20 sidewinder roller blind incorporating Slipstream® Technology (patent pending) has a metal control chain as standard. White metal universal brackets are fitted to a white aluminium back bar for face, top or side fixing, and with 32, 40 or 45mm grooved aluminium barrel, depending on blind size and fabric weight. Fabric is locked into a groove in the barrel, and features a white plastic bottom bar as standard. The bottom bar is fabric covered at front. This system uses magnetic wall-fix/top-fix brackets. This ensures that, under excess load, the back bar separates from the bracket leaving no remaining points of ligature.

### Benefits:

Strength and simplicity make the KR20 the first choice for a vast range of applications. The choice of barrel size means that the blind is always ideally matched to window size for optimum performance. Vandal resistant features includes Slipstream®, a friction reducing technology - smooth action operation, air cooled design and double spring function - providing you with enhanced hold, exceptional long life properties and advanced chain loading. Metal control chain, fabric locked into barrel and bottom bar, and sturdy, attractive metal brackets fitted to white aluminium back bar, secured by magnetic brackets for 100% fail-safe\* anti-ligature functionality.

### Options:

32mm Slipstream® mechanisms in black, silver or brown; Plastic control chain; Alternative bottom bars including fully fabric covered in aluminium or plastic, and Tear Drop aluminium in black, silver or white; Crank operation with detachable crank handle (KR20C).

### Specification:

The magnetic anti-ligature YewdaleKestrel® KR20 sidewinder roller blind incorporating Slipstream® Technology for enhanced hold, advanced loading and exceptional long life properties as manufactured by Yewdale, +44 (0)1268 570900. Flame retardant fabric from the YewdaleDefiant® range, locked into grooved 32/40/45mm aluminium barrel along with white plastic bottom bar. Slipstream® Technology sidewinder control with metal control chain and white metal brackets fitted to white aluminium back bar, secured by magnetic wall-fix/top-fix brackets spaced in accordance with manufacturer's recommendations. Fitting to be carried out by trained and accredited personnel.

**YewdaleKestrel® KR20 is the only approved sidewinder roller blind system to be used with YewdaleKestrel®**

Please refer to NBS Plus N10 240.



This product range comes with a full Lifetime Warranty as standard.

## Roller Blinds Specification Guide

Roller blinds	Min Width*	Max Width	Max Drop	Max M <sup>2</sup>
KR20	200	2050	3300	5.0

Sizes shown in millimetres. Based on fabric weight of 220g/m<sup>2</sup>, e.g. Thames. Use of heavier fabrics may require appropriate reductions. \*Where adjacent blinds are fitted with YewdaleKestrel®, there should be no more than 2 brackets within a total distance of 700mm.



## KR20C Crank Control

### Features:

The YewdaleKestrel® KR20C crank control roller blind features a 45mm grooved aluminium barrel and white metal universal brackets for face or top fixing. A robust 1:5 crank mechanism ensures smooth blind control, and incorporates a magnetic detachable crank handle. Fabric is locked into a groove in the barrel, and features a white Tear Drop aluminium bottom bar as standard. This system uses magnetic wall-fix/top-fix brackets. This ensures that, under excess load, the back bar separates from the bracket leaving no remaining points of ligature.

### Benefits:

Durability and simplicity make the KR20C a good choice for a vast range of applications. The magnetic detachable crank ensures the blind is vandal resistant and safe for areas where cords are a threat. Fabric locked into the barrel and bottom bar, supported by sturdy, attractive metal brackets and fitted to white aluminium back bar, secured by magnetic brackets for 100% fail-safe\* anti-ligature functionality.

### Options:

Bracket covers; Alternative bottom bars including fully fabric covered in aluminium or plastic, and aluminium Tear Drop in black or silver; Fixed crank handle.

### Specification:

The magnetic anti-ligature YewdaleKestrel® KR20C crank control roller blind with magnetic detachable crank handle as manufactured by Yewdale, +44 (0)1268 570900. Flame retardant fabric from the YewdaleDefiant® range, locked into grooved 45mm aluminium barrel along with white Tear Drop aluminium bottom bar. Robust vandal resistant 1:5 crank mechanism with pin end supported by white metal brackets and fitted to white aluminium back bar, secured by magnetic wall-fix/top-fix brackets spaced in accordance with manufacturer's recommendations. Fitting to be carried out by trained and accredited personnel.

**YewdaleKestrel® KR20C is the only approved crank control roller blind system to be used with YewdaleKestrel®**

Please refer to NBS Plus N10 240.



This product range comes with a full Lifetime Warranty as standard.

## Roller Blinds Specification Guide

Roller blinds	Min Width*	Max Width	Max Drop	Max M <sup>2</sup>
KR20C	200	2000	3300	5.0

Based on fabric weight of 220g/m<sup>2</sup>, e.g. Thames. Sizes shown in millimetres unless otherwise specified. Use of heavier fabrics may require appropriate reductions. Where adjacent YewdaleKestrel® blinds are fitted, there should be no more than 2 brackets within a total distance of 700mm.

# YewdaleKestrel® Roller and Vertical Blinds



## KR20S Slow-rise spring

### Features:

The YewdaleKestrel® KR20S spring roller blind with a brake to ensure a slow, smooth and quiet operation. White metal universal brackets fitted to white aluminium back bar for face, top or side fixing with 32mm grooved aluminium barrel. Fabric is locked into a groove in the barrel, and features a white tear drop aluminium bottom bar with cord pull as standard. This system uses magnetic wall-fix/top-fix brackets. This ensures that, under excess load, the back bar separates from the bracket leaving no remaining points of ligature.

### Benefits:

Smooth and quiet operation makes the KR20S an excellent choice for a vast range of applications. The KR20S braked spring blind provides the ultimate cord/chain-free solution and offers exceptional ease of use. The slow-rise spring is enclosed within the barrel and supported by sturdy, attractive metal brackets. Fitted to white aluminium back bar and secured by magnetic brackets for 100% fail-safe\* anti-ligature functionality. Fabric is locked into the barrel and bottom bar maintaining exceptional edge to edge coverage for even better shading properties.

### Options:

Spring limit stop; Alternative bottom bars, including fully fabric covered, in aluminium or plastic, and aluminium Tear Drop in black or silver.

### Specification:

The magnetic anti-ligature YewdaleKestrel® KR20S braked spring control roller blind with vandal resistant, cord/chain-free braked spring as manufactured by Yewdale, +44 (0)1268 570900. Flame retardant fabric from the YewdaleDefiant® range, locked into grooved 32mm aluminium barrel along with white Tear Drop aluminium bottom bar. Slow-rise spring and braked spring end housed within aluminium barrel supported by white metal brackets, and fitted to white aluminium back bar, secured by magnetic wall-fix/top-fix brackets spaced in accordance with manufacturer's recommendations. Fitting to be carried out by trained and accredited personnel.

**YewdaleKestrel® KR20S is the only approved braked spring roller blind system to be used with YewdaleKestrel®**

Please refer to NBS Plus N10 240.



This product range comes with a full Lifetime Warranty as standard.

## Roller Blinds Specification Guide

Roller blinds	Min Width*	Max Width	Max Drop	Max M <sup>2</sup>
KR20S**	450	1850	2450	4.3

Sizes shown in millimetres. Based on fabric weight of 220g/m<sup>2</sup>, e.g. Thames. Use of heavier fabrics may require appropriate reductions. \*Where adjacent blinds are fitted with YewdaleKestrel®, there should be no more than 2 brackets within a total distance of 700mm. \*\*Use of limit stop may require appropriate reductions.



## KVL31 Premium wand

### Features:

The YewdaleKestrel® KVL31 premium vertical blind, with added wand control, provides a safe solution for a host of anti-ligature shading requirements. Incorporating 40 x 25mm premium profiled white aluminium head-rail and wheeled replaceable plastic carrier trucks, and magnetic wall-fix/top-fix brackets. This ensures that, under excess load, the head-rail separates from the brackets leaving no remaining points of ligature - a highly essential safety feature. The constant transport of the louvres is guaranteed by the precision made aluminium spindle shaft. Wand control operation with built-in slip clutch for louvre tilt. 127mm, 89mm, or 63mm louvres available - all with enclosed louvre weights.

### Benefits:

Robust with high quality performance, whilst remaining pleasing to the eye, the KVL31 makes an excellent choice for many sectors. The comprehensive truck options satisfy the most demanding of environments whether it be residential or commercial. The utilisation of the wand control provides the ultimate cord/chain-free solution and offers exceptional ease of use. The control mechanism is enclosed within the head-rail and supported on a sturdy, aluminium back bar, secured by magnetic brackets for 100% fail-safe\* anti-ligature functionality. With enclosed louvre weights as standard throughout to remove any individual loose part issues.

### Options:

Spring metal trucks; ball and chain control (KVL30).

### Specification:

The magnetic anti-ligature YewdaleKestrel® KVL31 vertical blind with added wand control as manufactured by Yewdale, +44 (0)1268 570900. 127mm, 89mm or 63mm louvres in flame retardant fabric from the YewdaleDefiant® range, fixed to replaceable wheeled truck hooks and accommodating enclosed louvre weights throughout. Premium 40 x 25mm white powder-coated head-rail with wand control operation and built-in slip clutch. Secured by magnetic wall-fix/top-fix brackets spaced in accordance with manufacturer's recommendations. Fitting to be carried out by trained and accredited personnel.

**YewdaleKestrel® KVL31 is the only approved premium wand control vertical blind system to be used with YewdaleKestrel®**

Please refer to NBS Plus N10 240.



This product range comes with a full Lifetime Warranty as standard.

## Vertical Blinds Specification Guide

Vertical blinds	Min Width*	Max Width	Max Drop	Max M <sup>2</sup>
KVL31	300	2800	3200	8.0

Sizes shown in millimetres. Based on fabric weight of 220g/m<sup>2</sup>, e.g. Thames. Use of heavier fabrics may require appropriate reductions. \*Where adjacent blinds are fitted with YewdaleKestrel®, there should be no more than 2 brackets within a total distance of 700mm.

# YewdaleKestrel® Vertical Blinds

YewdaleKestrel® Vertical Blinds



## KVL60 Chain mono

### Features:

The premium YewdaleKestrel® KVL60 vertical blind offers an anti-ligature shading requirement solution that is very easy to operate. Incorporating 45 x 36.5mm premium profiled white aluminium head-rail and wheeled replaceable plastic carrier trucks, and magnetic wall-fix/top-fix brackets. This ensures that, under excess load, the head-rail separates from the brackets leaving no remaining points of ligature - a highly essential safety feature. The constant transport of the louvres is guaranteed by the precision made aluminium spindle shaft. Bead-chain control operation by mono control, with built-in slip clutch for louvre tilt and draw. 127mm, or 89mm louvres available - both with enclosed louvre weights.

### Benefits:

The KVL60 offers the ease of mono control - a comfortable change gear with large chain wheel cares for continuous transport and automatically switches from tilting to traversing. By pulling the ball chain the louvres tilt and then traverse. The strong, premium profiled head-rail and replaceable wheeled carrier trucks are designed to withstand the rigours of intensive use, whilst the ingenious mechanism allows precise control of light transmission. A long-lasting blind, delightfully simple to operate. The control mechanism is enclosed within the head-rail and supported on a sturdy, aluminium back bar, secured by magnetic brackets for 100% fail-safe\* anti-ligature functionality. With enclosed louvre weights as standard throughout to remove any individual loose part issues.

### Specification:

The magnetic anti-ligature YewdaleKestrel® KVL60 vertical blind with chain operated, mono control as manufactured by Yewdale, +44 (0)1268 570900. 127mm or 89mm louvres in flame retardant fabric from the YewdaleDefiant® range, fixed to replaceable wheeled truck hooks and accommodating enclosed louvre weights throughout. Premium 45 x 36.5mm white powder-coated head-rail with chain operation by mono control, and built-in slip clutch. Secured by magnetic wall-fix/top-fix brackets spaced in accordance with manufacturer's recommendations. Fitting to be carried out by trained and accredited personnel.

**YewdaleKestrel® KVL60 is the only approved chain mono control vertical blind system to be used with YewdaleKestrel®**

Please refer to NBS Plus N10 240.



This product range comes with a full Lifetime Warranty as standard.

## Vertical Blinds Specification Guide

Vertical blinds	Min Width*	Max Width	Max Drop	Max M²
KVL60/127	900	2800	3200	8.0
KVL60/89	900	2700	3200	8.0

Sizes shown in millimetres. Based on fabric weight of 220g/m², e.g. Thames. Use of heavier fabrics may require appropriate reductions. \*Where adjacent blinds are fitted with YewdaleKestrel®, there should be no more than 2 brackets within a total distance of 700mm.



## KVL64 Crank mono

### Features:

The YewdaleKestrel® KVL64 premium vertical blind with added crank control provides yet another safe solution for a host of anti-ligature shading requirements. Incorporating 45 x 36.5mm premium profiled white aluminium head-rail and wheeled replaceable plastic carrier trucks, and magnetic wall-fix/top-fix brackets. This ensures that, under excess load, the head-rail separates from the brackets leaving no remaining points of ligature. The steady transport of the louvres is guaranteed by the precision made aluminium spindle shaft. Bead-chain control operation by mono control, with built-in slip clutch for louver tilt and draw. 127mm, or 89mm louvres available - both with enclosed louver weights.

### Benefits:

Robust with high quality performance, whilst remaining pleasing to the eye, the KVL31 makes an excellent choice for many sectors. The comprehensive truck options satisfy the most demanding of environments whether it be residential or commercial. The utilisation of the built-in crank control provides the ultimate cord/chain-free solution and offers exceptional ease of use. The control mechanism is enclosed within the head-rail and supported on a sturdy, aluminium back bar, secured by magnetic brackets for 100% fail-safe\* anti-ligature functionality. With enclosed louver weights as standard throughout to remove any individual loose part issues

### Specification:

The magnetic anti-ligature YewdaleKestrel® KVL64 vertical blind with crank operated, mono control as manufactured by Yewdale, +44 (0)1268 570900. 127mm or 89mm louvres in flame retardant fabric from the YewdaleDefiant® range, fixed to replaceable wheeled truck hooks and accommodating enclosed louver weights throughout. Premium 45 x 36.5mm white powder-coated head-rail with crank operation by mono control, and built-in slip clutch. Secured by magnetic wall-fix/top-fix brackets spaced in accordance with manufacturer's recommendations. Fitting to be carried out by trained and accredited personnel.

**YewdaleKestrel® KVL64 is the only approved crank mono control vertical blind system to be used with YewdaleKestrel®**

Please refer to NBS Plus N10 240.



This product range comes with a full Lifetime Warranty as standard.

## Vertical Blinds Specification Guide

Vertical blinds	Min Width*	Max Width	Max Drop	Max M <sup>2</sup>
KVL64 / 89mm	900	2800	3200	8.0
KVL64 / 127mm	900	2800	3200	8.0

Sizes shown in millimetres. Based on fabric weight of 220g/m<sup>2</sup>, e.g. Thames. Use of heavier fabrics may require appropriate reductions. \*Where adjacent blinds are fitted with YewdaleKestrel®, there should be no more than 2 brackets within a total distance of 700mm.



## K09 Mounting Plates

### Features:

Many items may be converted to anti-ligature status by mounting them on YewdaleKestrel® mounting plates. Available in three sizes, the plates are held vertically against the wall solely by the magnetic attraction of the YewdaleKestrel® brackets hidden behind them.

### K09AW

100 x 170mm, with 1 bracket.  
Suitable for toilet roll holders, etc.

### K09BW

190 x 335mm, with 2 brackets.  
Suitable for soap dispensers, etc.

### K09CW

330 x 470mm, with 2 brackets.  
Suitable for towel dispensers, etc.

### Specification:

Kestrel K09A/B/CW Mounting plates as manufactured by Yewdale, +44 (0)1268 570900, with YewdaleKestrel Magnetic Anti-Ligature System.

Please refer to NBS Plus



## K505PW Shower head holder

### Features:

The YewdaleKestrel® K505PW magnetic shower head holder provides another anti-ligature solution for an area that may otherwise be difficult to monitor. High grade swivelling plastic provides support for many positions mounted to a high quality moulded polycarbonate K09AW YewdaleKestrel® mounting plate (included).

### Specification:

The magnetic anti-ligature YewdaleKestrel® K505PW shower head holder as manufactured by Yewdale, +44 (0)1268 570900. Lightweight, anti-shatter construction complete with magnetic brackets to allow plates to part from brackets under excessive load.

Please refer to NBS Plus N13 375



## K509PW Toilet roll holder

### Features:

The YewdaleKestrel® K509PW magnetic toilet roll holder provides another anti-ligature solution for an area that may otherwise be difficult to monitor. High grade, lightweight swivelling plastic holder securely holds one toilet roll. Mounted on a high quality moulded polycarbonate K09AW YewdaleKestrel® mounting plate.

### Specification:

The magnetic anti-ligature YewdaleKestrel® K509PW toilet roll holder as manufactured by Yewdale, +44 (0)1268 570900. Lightweight, anti-shatter polycarbonate construction complete with magnetic brackets to allow plates to part from brackets under excessive load.

Please refer to NBS Plus N13 462



Plastic Dispenser Available

## K510 Soap dispenser

### Features:

The durable, high quality YewdaleKestrel® K510 stainless steel dispenser has non-drip, one shot action. Mounted to a high quality moulded polycarbonate K09BW YewdaleKestrel® mounting plate.

### Specification:

The magnetic anti-ligature YewdaleKestrel® K510 soap dispenser as manufactured by Yewdale, +44 (0)1268 570900. Satin stainless steel dispenser with non-drip, one shot action mounted to YewdaleKestrel® moulded backing plate, complete with magnetic brackets to allow plate to part from brackets under excessive load.

Please refer to NBS Plus N13 458



Plastic Dispenser Available

## K511 Paper towel dispenser

### Features:

The durable, high quality YewdaleKestrel® K511 lockable stainless steel dispenser has a stock level indicator window. Mounted to a high quality moulded polycarbonate K09CW YewdaleKestrel® mounting plate.

### Specification:

The magnetic anti-ligature YewdaleKestrel® K511 paper towel dispenser as manufactured by Yewdale, +44 (0)1268 570900. Satin stainless steel dispenser for C-fold/multi-fold towels with lock, mounted to YewdaleKestrel® moulded backing plate, complete with magnetic brackets to allow plate to part from brackets under excessive load.

Please refer to NBS Plus N13 442

If you require any anti-ligature accessory not shown on these pages, please enquire. We may be able to help.



## K514 Shelf Set

### Features:

The YewdaleKestrel® K514 anti-ligature magnetic shelf is constructed from durable, shatter-proof polycarbonate with holes for individual item placement. Mounted to two wall-fix brackets for a fully fail-safe\* solution.

### Specification:

The magnetic anti-ligature YewdaleKestrel® K514 Shelf set as manufactured by Yewdale, +44 (0)1268 570900. Clear robust polycarbonate construction, mounted to two YewdaleKestrel® magnetic brackets to ensure shelf consistently parts from brackets under excessive load.

Please refer to NBS Plus N13 449



## K515 Polycarbonate mirror

### Features:

The YewdaleKestrel® K515 anti-ligature polycarbonate mirror is designed to be virtually indestructible. Having the same dimensions as a K09CW mounting plate and incorporating 2 magnetic fixing points (included).

### Specification:

The magnetic anti-ligature YewdaleKestrel® K515 Polycarbonate mirror as manufactured by Yewdale, +44 (0)1268 570900. Anti-shatter construction complete with magnetic brackets to allow mirror unit to part from brackets under excessive load.

Please refer to NBS Plus



## K516 Wipe board

### Features:

The YewdaleKestrel® K515 anti-ligature wipe board offers a notice board solution for all anti-ligature environments. Having the same dimensions as a K09CW mounting plate and incorporating two magnetic fixing points (included).

### Specification:

The magnetic anti-ligature YewdaleKestrel® K515 Wipe board as manufactured by Yewdale, +44 (0)1268 570900. Anti-shatter construction complete with magnetic brackets to allow board to part from brackets under excessive load.

Please refer to NBS Plus



## K512 Soap Dish

### Features:

The YewdaleKestrel® K512 anti-ligature soap dish is manufactured from steel with a polished satin finish. Mounted to a high quality moulded polycarbonate K09AW YewdaleKestrel® mounting plate (included).

### Specification:

The magnetic anti-ligature YewdaleKestrel® K512 Soap dish in satin polished steel as manufactured by Yewdale, +44 (0)1268 570900. Anti-shatter construction complete with magnetic brackets to allow plate to part from bracket under excessive load.

Please refer to NBS Plus N13 456



## K512PW Soap Dish

### Features:

The YewdaleKestrel® K512 anti-ligature soap dish is manufactured from high grade plastic. Mounted to a high quality moulded polycarbonate K09AW YewdaleKestrel® mounting plate (included).

### Specification:

The magnetic anti-ligature YewdaleKestrel® K512 Soap dish in white plastic as manufactured by Yewdale, +44 (0)1268 570900. Anti-shatter construction complete with magnetic brackets to allow plate to part from bracket under excessive load.

Please refer to NBS Plus N13 456



## K504 Towel rail

### Features:

The YewdaleKestrel® K504 clear towel rail provides a convenient towel drying facility in an otherwise anti-ligature environment. The rail and its holders will part from the brackets to allow 100% fail-safe\* solution under excessive load.

### Specification:

The magnetic anti-ligature YewdaleKestrel® K504 towel rail as manufactured by Yewdale, +44 (0)1268 570900. Lightweight, clear polycarbonate construction complete with holders and magnetic wall-fix brackets to allow rail to part from brackets under excessive load.

Please refer to NBS Plus N13 466

If you require any anti-ligature accessory not shown on these pages, please enquire. We may be able to help.



## K508 Flexible coat hook

**Features:**

The YewdaleKestrel® K508 flexible coat hook has been developed in response to repeated requests from hospital staff. This hook is as strong as a standard coat hook in normal use, yet gives NO point of ligature.

**Specification:**

The magnetic anti-ligature YewdaleKestrel® K508 flexible coat hook as manufactured by Yewdale, +44 (0)1268 570900. 2-part white plastic construction complete with hook from special pliable formulation and magnetic wall-fix bracket to allow hook to part from bracket under excessive load.

Please refer to NBS Plus N10 210



## K530 Wardrobe rail

**Features:**

The YewdaleKestrel® K530 clear wardrobe rail provides a convenient garment hanging facility in an otherwise anti-ligature environment. The rail, including the brackets (500mm; or K530/10 - 1000mm; or K530/15 - 1500mm) and its holders will part from the brackets to allow a 100% fail-safe\* solution under excessive load.

**Specification:**

The magnetic anti-ligature YewdaleKestrel® K530 wardrobe rail as manufactured by Yewdale, +44 (0)1268 570900. Lightweight, clear polycarbonate construction complete with holders and magnetic top-fix brackets to allow rail to part from brackets under excessive load.

Please refer to NBS Plus



## YewdaleKestrel® SafeDoor

### Features:

The YewdaleKestrel® SafeDoor is constructed from a lightweight 4kg soft foam then coated with a resilient antimicrobial, stain resistant vinyl material designed to withstand daily patient and client use in hospital and mental health environments. By harnessing the natural forces of short range magnetism for its fixing points, it eliminates all anchor points usually associated with doors and hardware. This ensures that, under excess load (9kg), the door separates from the door frame to which it's mounted leaving no remaining points of ligature - a highly essential safety feature.

### Benefits:

An ensuite door with zero ligature risk makes the SafeDoor the only choice in providing acceptable levels of privacy and dignity yet still ensuring no risk. Designed with a strong focus on being lightweight for both service user and staff protection, this durable tear and stain-resistant solution is both waterproof and flame retardant as standard. Its external surface can be printed on to suit the décor of the environment. Incorporating the proven qualities of YewdaleKestrel® magnetic fixing properties means that this also has 100% fail-safe\* anti-ligature functionality. Simple to install.

### Options:

Left hand or right hand hinge mounted; 1000mm width, plus other sizes to order; colour/image of your choice.

### Specification:

The magnetic anti-ligature YewdaleKestrel® SafeDoor for ensembles with vandal resistant, soft foam core as manufactured by Yewdale, +44 (0)1268 570900. Manufactured from flame retardant fabric, constructed using anti-pick, tamper resistant materials, and incorporating Biosafe® antibacterial formula to withstand vigorous daily use in hospital and mental health environments. The 4kg tear/stain resistant door is anti-static and will fall away from its magnetic fixing plates when subjected to a load greater than 9kgs.

Three year warranty as standard. SafeDoor is excluded from the lifetime warranty.

If you require any anti-ligature accessory not shown on these pages, please enquire. We may be able to help.

## Terms of Use and Disclaimer for YewdaleKestrel® Systems

Sensitive electronic equipment may be damaged by proximity to a magnetic field and should not come within 150mm of the underside of the brackets. Any load-release device, by its nature, may cause damage when operated. Articles suspended from the YewdaleKestrel® magnetic anti-ligature system will come down when pulled.

YewdaleKestrel® products are designed as standalone products only. Care should be taken when assessing or arranging a room to ensure that YewdaleKestrel® products cannot be misused in conjunction with any other item, furniture or fixings in the room. It is the responsibility of the end user or client to ensure the product is suitable for the environment it is being installed in. YewdaleKestrel® products must be fitted by a qualified professional following the manufacturer's instructions. Failure to do so could jeopardise the product's effectiveness as an anti-ligature system.

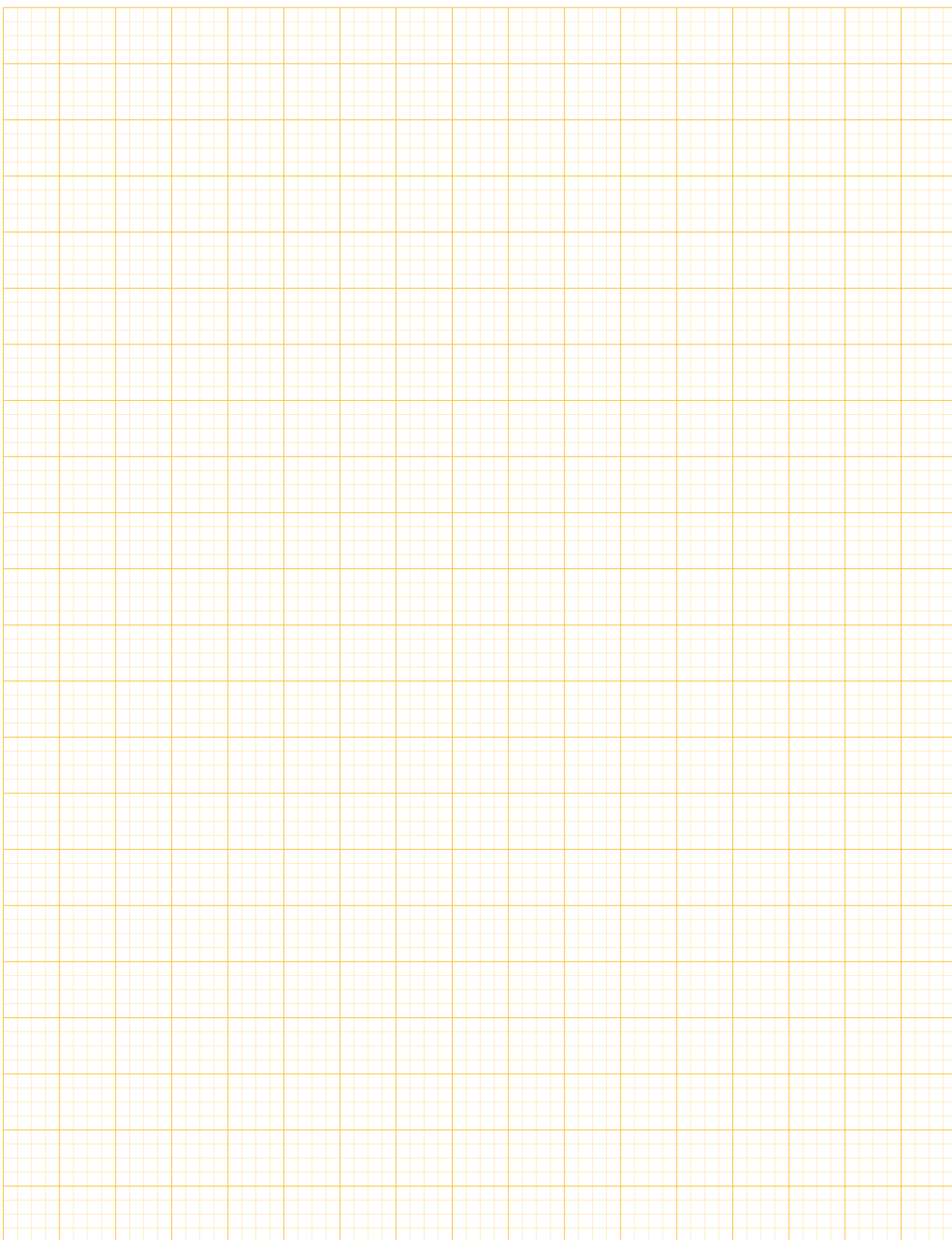
## What the term fail-safe means in our literature

The 'fail-safe' guarantee is only applicable in an anti-ligature environment where the system cannot be used in conjunction with anything else to create a ligature point. YewdaleKestrel® systems are guaranteed to safely separate every time excessive weight is applied to the device, but it is the responsibility of the installer and end user to ensure that the YewdaleKestrel® anti ligature system cannot be used unsafely afterwards. Yewdale cannot be held responsible for any actions of the user that may result in the creation of a ligature point through misuse of YewdaleKestrel® systems before or after it has separated from its magnetic brackets.

## How to install and use the YewdaleKestrel® Anti-Ligature system safely

To ensure the safety of the YewdaleKestrel® anti-ligature device, you must follow the below points.

- Only a qualified YewdaleKestrel® installer can install these anti-ligature systems. Failure to do so jeopardises the system's effectiveness.
- YewdaleKestrel® systems should not be used in conjunction with any other brand of anti-ligature products.
- YewdaleKestrel® systems only maintain their effectiveness in an anti-ligature environment which is geared towards ensuring the safety of the service user.
- Due to the strong magnets used in YewdaleKestrel® anti-ligature systems should not be placed near sensitive electronic equipment. Keep at least 150mm clearance of the underside of the brackets.
- Always follow the instructions supplied with the system



CI/SFB 1976 reference by Sfb Agency		
(76.7)	X	



Yewdale, Enterprise Way,  
Wickford, Essex SS11 8DH  
Call +44 (0)1268 570900  
Fax +44 (0)1268 732509  
Email [sales@yewdale.co.uk](mailto:sales@yewdale.co.uk)  
Visit [yewdale.co.uk](http://yewdale.co.uk)

For more information on all Yewdale products, please call the sales department.



REV: 2.02



yewdale **Defiant**<sup>®</sup>  
FABRIC AND BLIND SYSTEMS



yewdale **Kestrel**<sup>®</sup>  
MAGNETIC ANTI-LIGATURE SYSTEM



yewdale **Movatrack**<sup>®</sup>  
CUBICLE AND TRACK SYSTEMS



yewdale **Harrier**<sup>®</sup>  
CUBICLE AND SHOWER CURTAINS



yewdale **Vitesse**<sup>®</sup>  
CURTAIN TRACK SYSTEMS