

Timber Shutters & Grilles

'Nothing beats the aesthetic appeal of real wood'



System Doors

SYSTON ROLLING SHUTTERS LTD TRADING AS SYSTON DOORS



Timber Shutters & Grilles

'Nothing beats the aesthetic appeal of real wood'

Experience

Syston Doors have been manufacturing timber rolling shutters & grilles for over sixty years and provide the largest range available.

Every shutter is backed by years of experience to ensure total quality.

Applications

Designed for use in bars, reception counters, display areas, serveries, homes, cupboards, etc.

Ironmongery and Locking

On manually operated shutters & grilles we include flush lifts in brass with the option of other finishes.

Locking is by shootbolts on shutters.

An option for cylinder lock to the bottom rail is available. This throws a lock bar into each side guide and not the counter top/floor.

A cylinder lock is included as standard on 'T9134' grilles.

Locks would normally be omitted if electrically operated.

Operation

Self coiling (manual push up/pull down) operation by counter balanced sprung roller is standard up to 3000mm wide x 2100mm high.

Electric operation by single-phase 240v 'tubular motor' with activation by rocker switch or keyswitch, with or without manual handcrank override, is available as an option.

N.B. Consideration should be made as to the user of the shutter. If the user is less able we recommend the shutter be split into two parts or be electric if over 2500mm wide.

Specifications

For maximum versatility we manufacture our timber shutters in four attractive styles.

- Our 'T134' (25mm lath) is available in Ramin, White Beech, White Oak, Red Oak, Utile (Mahogany), White Ash, Maple and Red Cherry as standard.
- Our 'T234' (50mm lath) is available in Ramin, White Oak, Red Oak, Utile (Mahogany), White Ash, Maple, Red Cherry and Colombian Pine as standard.

N.B. 'T234' moulding is not available in White Beech and will not 'reverse roll'.

- Our 'T244' uses a timber lath in Ramin, White Oak, Red Oak, Utile (Mahogany), White Ash, Maple, Red Cherry and Colombian Pine with an insert of either grey, black or blue plastic, stainless steel or aluminium. (Other insert options may be possible - please consult our sales department).

Due to the nature of this 'combination' lath, this shutter will always be supplied with a polished or stained & polished finish to suit your own requirement.

- Our 'T9134' rolling grille, manufactured using our 'T134' (25mm) moulding where each alternate lath is omitted for a space of 229mm x 25mm to form an attractive single spaced grille effect, or with two laths removed for double spacing of 229mm x 50mm.

Hoods, Fascias and/or Soffits

These are available at extra cost in 12mm Birch faced plywood.

Beech, Ash, White Oak or Sapele faced plywood available at extra cost.

Galvanised sheet steel hood/fascia/soffit also available with optional powder coated finish.

Finish

Our timber shutters are supplied as standard unfinished 'in the white' unless otherwise specified.

Sanded (ready for finishing 'by others'), Polished or Stained & Polished finishes are available at extra cost.

We can also offer a 'Rentokil Albi-Max' Class 1 or 0 intumescent flame retardant finish.

Custom Design

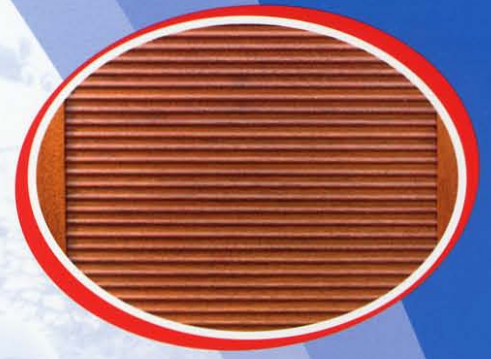
Our timber shutters and grilles are all manufactured up to 3000mm in length with the option of fixed or removable, straight or angled, intermediate guides allowing total flexibility in length of 'run' required.

Removable guides will usually be fixed into the counter or floor by use of flush fitting spring loaded retaining keeps (dustcaps).

Dependent on timber species we can manufacture our timber shutters and grilles, when electrically operated, up to 4500mm clear wide and 4500mm clear high.*

** Please contact our sales office to confirm the maximum size available in your choice of timber.*

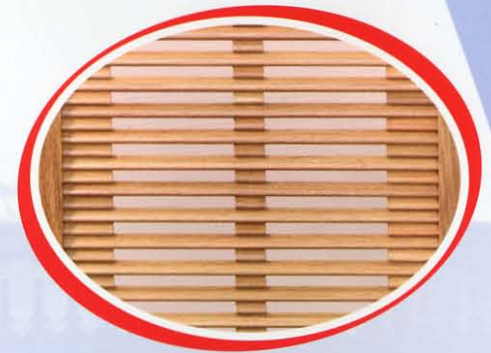
We can also provide tambour shutter curtains with or without side guides for use in cabinets, etc.



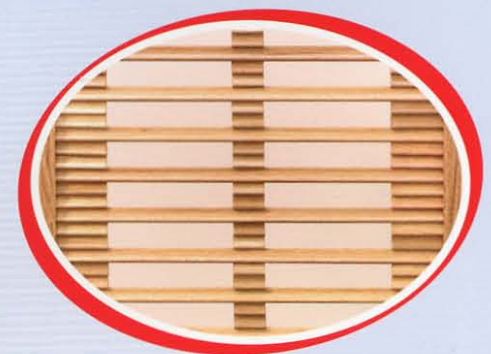
The T134 Range



The T234 Range



The T9134 Single Spaced Range



The T9134 Double Spaced Range



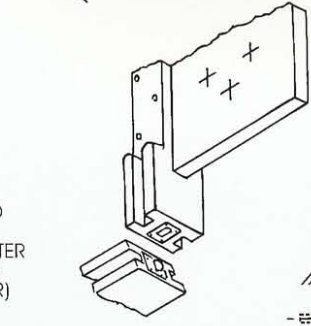
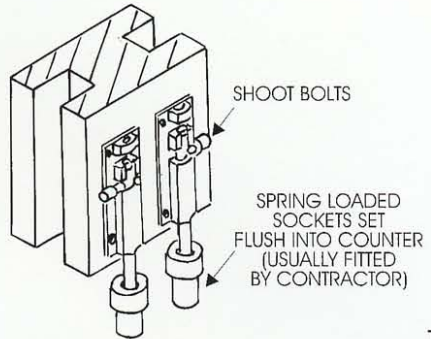
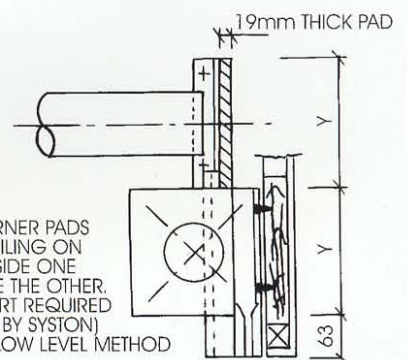
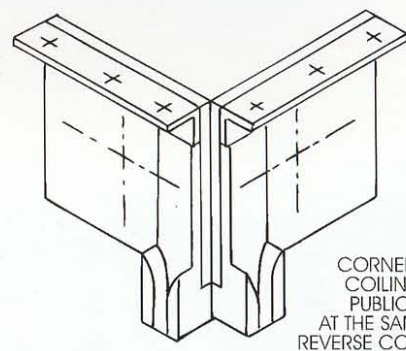
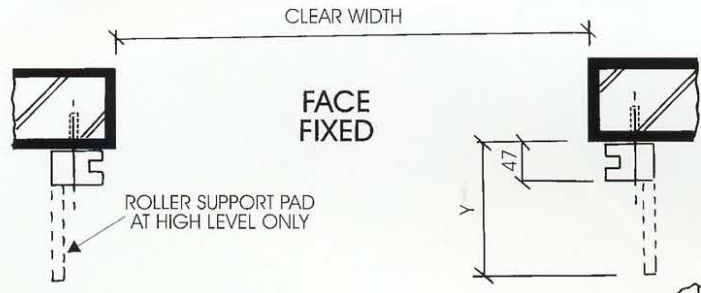
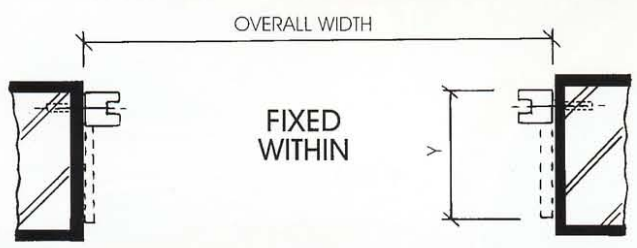
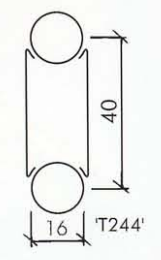
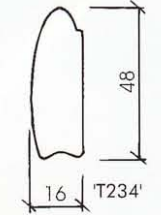
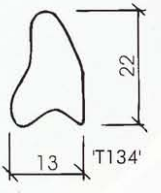
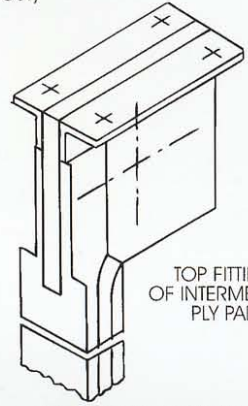
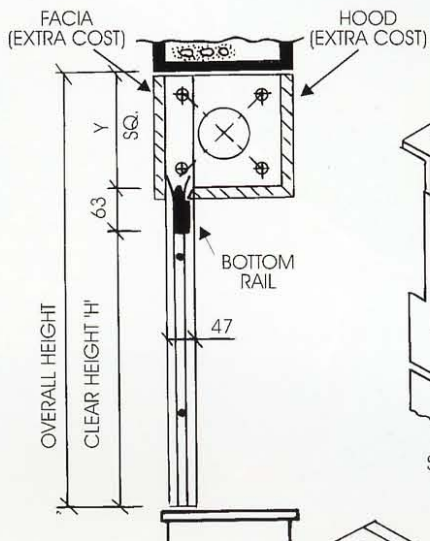
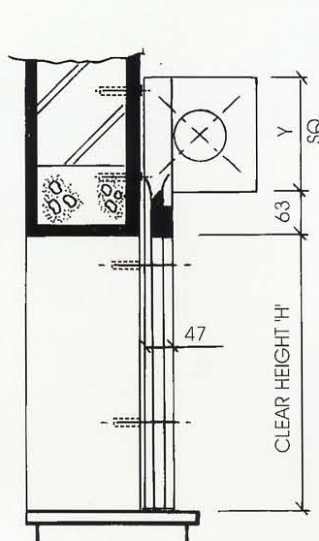
The T244 Range with aluminium insert



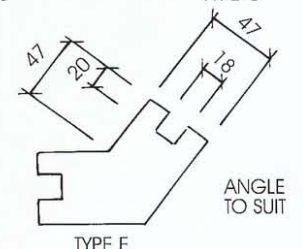
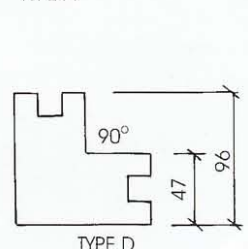
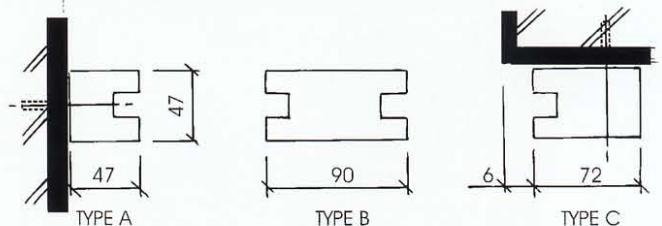
The T244 Range

Technical Information

If you require any further information, please call us...



PLEASE NOTE: WHEN ELECTRICALLY OPERATED AN ADDITIONAL 30mm IS NEEDED BEHIND THE BACK OF THE STANDARD GUIDES SHOWN, DEPENDING ON THE SIZE OF THE SHUTTER.



HEIGHT	134 & 9134	234 & 244
'H'	'Y'	'Y'
UP TO 600	180	180
UP TO 1300	200	230
UP TO 2000	230	255
UP TO 2500	255	300

CUSTOMER TO PROVIDE ADEQUATE SUPPORT STRUCTURE TO CARRY IMPOSED LOAD WEIGHT = 20kg/M²



▼ T134



▲ T9134 with single spacing



◀ T234





Ash



Beech



Cherry



Maple



White Oak



Colombian Pine



Ramin



Red Oak



Utile



Yellow Pine

Due to the limitations of the print process, these samples are only intended as a guide.



System Doors

SYSTON ROLLING SHUTTERS LTD TRADING AS SYSTON DOORS

33 Albert Street, Syston, Leicester LE7 2JB, U.K.
Telephone: (0116) 260 8841 Fax: (0116) 264 0846
email: sales@syston.com
or visit www.syston.com



© We reserve the right to change or modify specification without alteration to this leaflet.